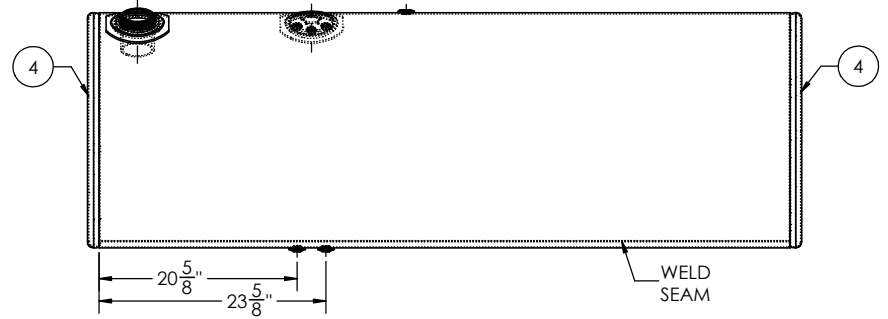
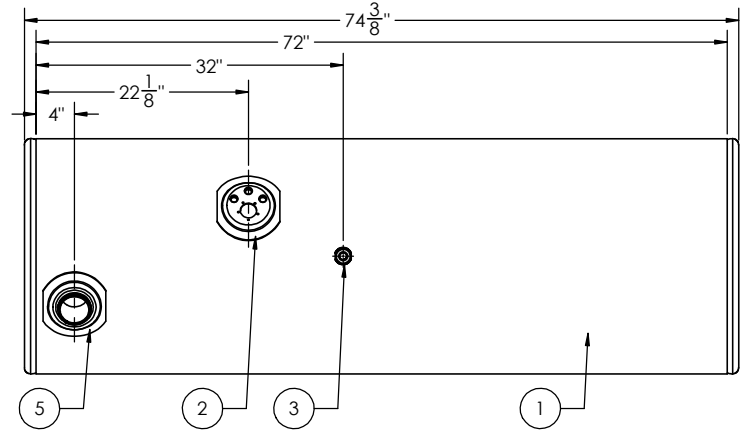
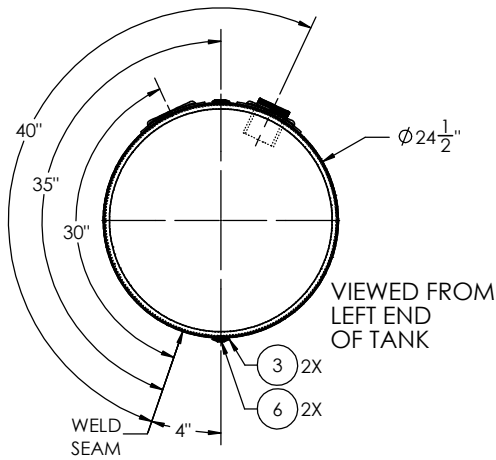
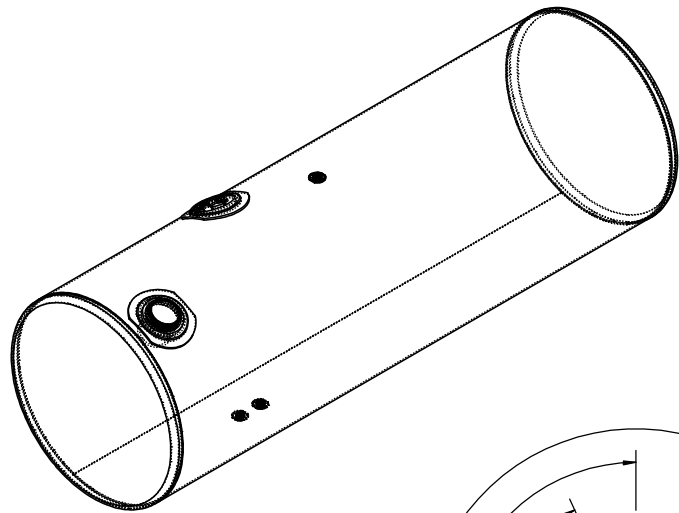


GALLONS	147	140	N/A	N/A
LITERS	556	528	N/A	N/A
	TOTAL CAPACITY	USEABLE CAPACITY	TOTAL CAPACITY	USEABLE CAPACITY
	DIESEL FUEL		BIO-DIESEL/ HYDRAULIC/WATER	



ITEM NO.	PART NUMBER	DESCRIPTION	QTY.
1	00011051	1/8" TANK BARREL	1
2	ADP-832310	POLISHED ALUMINUM KENWORTH ADAPTER PLATE	1
3	FLG-050230	1/2" NPTF POLISHED ALUMINUM FLANGE	3
4	ECP-3920013100	24 1/2" POLISHED ALUMINUM END CAP	2
5	FLN-801212300	POLISHED ALUMINUM KENWORTH FILL NECK	1
6	94135	1/2" SOCKET PIPE PLUG 3/4" TAPER NPTF ZINC	2

TITLE: 24.5" D x 72" L		UNLESS OTHERWISE SPECIFIED:		NAME	DATE
SIZE C	REV	QC	INITIALS	DRAWN	
		PSI		CHECKED	
		DIMS		ENG APPR.	
		PARTS		MFG APPR.	
PROPRIETARY AND CONFIDENTIAL THE INFORMATION CONTAINED IN THIS DRAWING IS THE SOLE PROPERTY OF ALUMITANK. ANY REPRODUCTION IN PART OR AS A WHOLE WITHOUT THE WRITTEN PERMISSION OF ALUMITANK IS PROHIBITED.		DIMENSIONS ARE IN INCHES FRACTIONS: + ANGULAR: MACH ± BEND ± TWO PLACE DECIMAL ± THREE PLACE DECIMAL ±		COMMENTS: G.A. DO NOT SCALE DRAWING	
		MATERIAL: 5052 H32 ALUMINUM		11317 N. US HWY 14 HARVARD, IL 60033 815-943-6649 800-452-6630 FAX 855-774-6918 WWW.ALUMITANK.COM INFO@ALUMITANK.COM	
		FINISH: SEE BOM		DWG. NO. 00011050 REV. B	
		DO NOT SCALE DRAWING		SCALE: 1:10 WEIGHT: 81.98 SHEET 2 OF 2	

