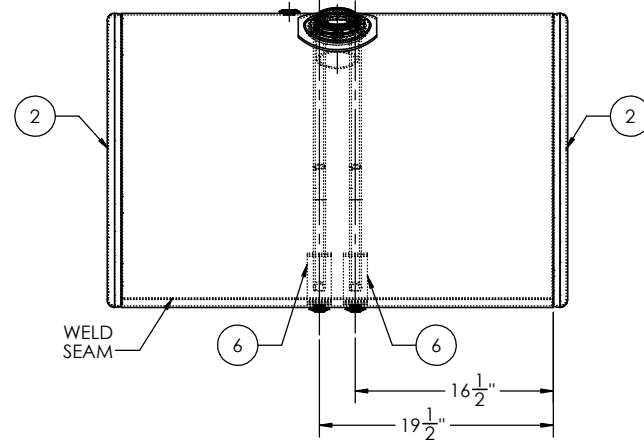
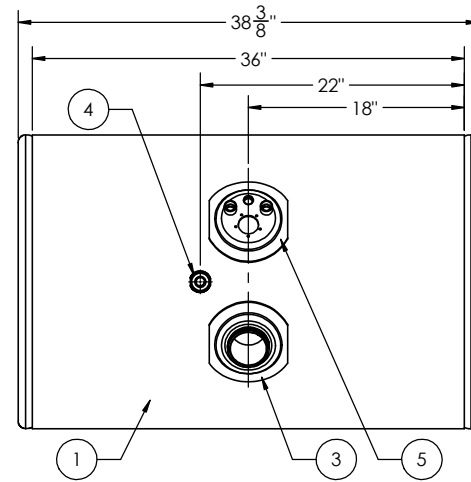
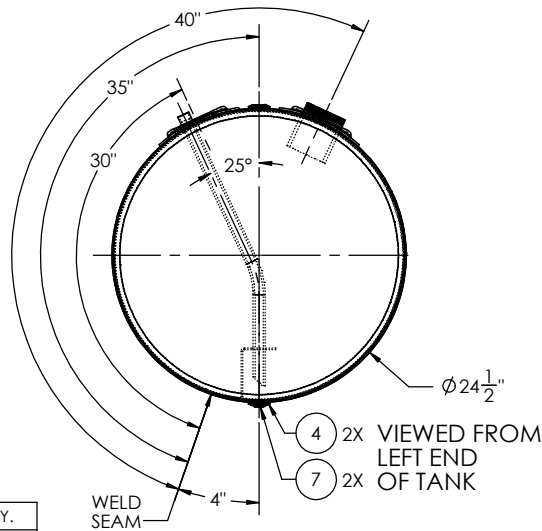
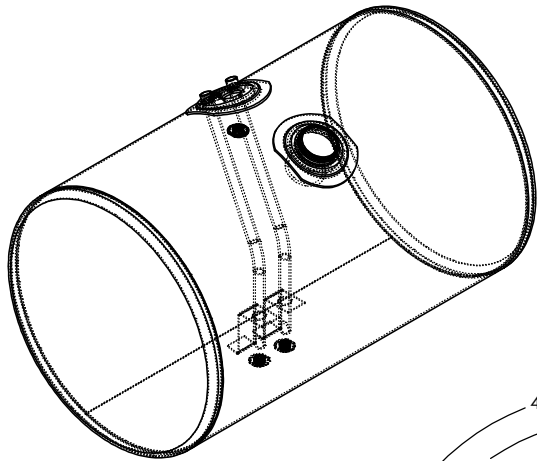


GALLONS	75	71	N/A	N/A
LITERS	284	270	N/A	N/A
	TOTAL CAPACITY	USEABLE CAPACITY	TOTAL CAPACITY	USEABLE CAPACITY
	DIESEL FUEL		BIO-DIESEL/ HYDRAULIC/WATER	



ITEM NO.	PART NUMBER	DESCRIPTION	QTY.
1	BRL-AT-KW-1126	1/8" TANK BARREL	1
2	ECP-3920013100	24 1/2" POLISHED ALUMINUM END CAP	2
3	FLN-801212300	POLISHED ALUMINUM KENWORTH FILL NECK	1
4	FLG-050230	1/2" NPTF POLISHED ALUMINUM FLANGE	3
5	ADP-83232392	24-1/2" POLISHED ALUMINUM KENWORTH ADAPTER PLATE WITH TUBES	1
6	STR-001 (DIA 24.50 TUBE 1.125)	SMALL TUBE STABILIZER (1.125)	2
7	94135	1/2" SOCKET PIPE PLUG 3/4" TAPER NPTF ZINC	2

KENWORTH PART NUMBER: K444-0457N0457U076

TITLE: 24.5" D x 36" L		UNLESS OTHERWISE SPECIFIED:		NAME	DATE
SIZE C	REV	QC	INITIALS	DRAWN	
		PSI		CHECKED	
		DIMS		ENG APPR.	
		PARTS		MFG APPR.	
	TAG			Q.A.	
	PKG			COMMENTS:	
DIMENSIONS ARE IN INCHES TOLERANCES: FRACTIONS: ± ANGULAR: MACH ± BEND ± TWO PLACE DECIMAL ± THREE PLACE DECIMAL ± INTERPRET GEOMETRIC TOLERANCING PER: MATERIAL: 5052 H32 ALUMINUM FINISH: SEE BOM DO NOT SCALE DRAWING		PROPRIETARY AND CONFIDENTIAL THE INFORMATION CONTAINED IN THIS DRAWING IS THE SOLE PROPERTY OF ALUMITANK. ANY REPRODUCTION IN PART OR AS A WHOLE WITHOUT THE WRITTEN PERMISSION OF ALUMITANK IS PROHIBITED.		11317 N. US HWY 14 HARVARD, IL 60033 815-943-6649 800-652-6630 FAX 855-774-6918 WWW.ALUMITANK.COM INFO@ALUMITANK.COM DWG. NO. AT-KW-1126 REV. A SCALE: 1:8 WEIGHT: 50.91 SHEET 2 OF 2	

