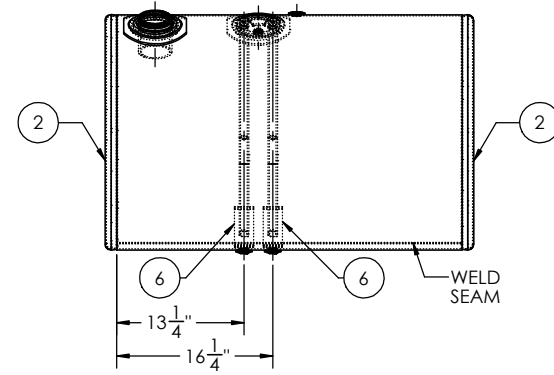
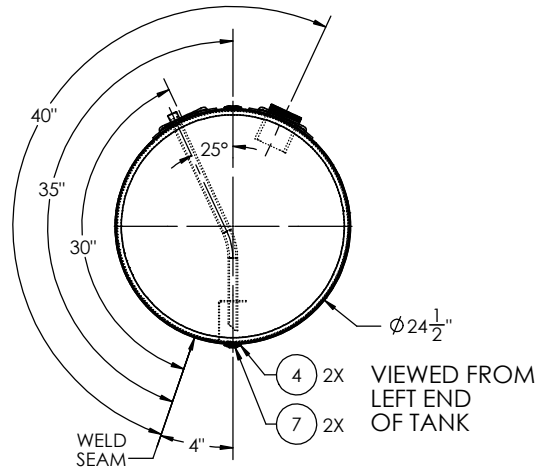
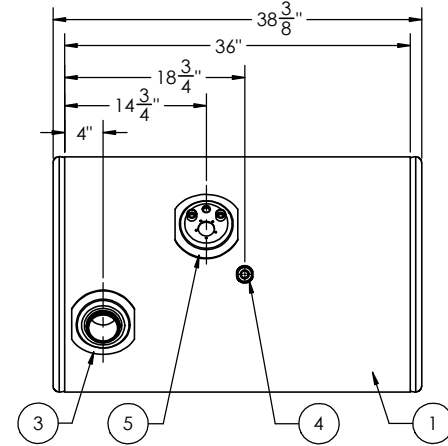
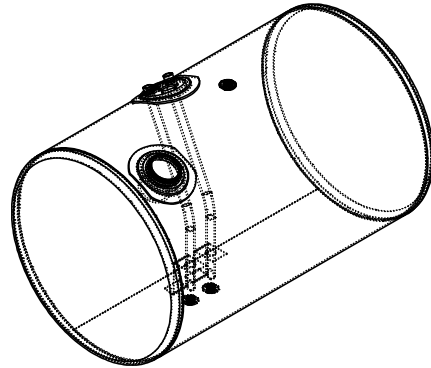


GALLONS	75	71	N/A	N/A
LITERS	284	270	N/A	N/A
	TOTAL CAPACITY	USEABLE CAPACITY	TOTAL CAPACITY	USEABLE CAPACITY
	DIESEL FUEL		BIO-DIESEL/ HYDRAULIC/WATER	



ITEM NO.	PART NUMBER	DESCRIPTION	QTY.
1	BRL-AT-KW-1108	1/8" TANK BARREL	1
2	ECP-3920013100	24 1/2" POLISHED ALUMINUM END CAP	2
3	FLN-801212300	POLISHED ALUMINUM KENWORTH FILL NECK	1
4	FLG-050230	1/2" NPTF POLISHED ALUMINUM FLANGE	3
5	ADP-83232392	24-1/2" POLISHED ALUMINUM KENWORTH ADAPTER PLATE WITH TUBES	1
6	STR-001 (DIA 24.50 TUBE 1.125)	SMALL TUBE STABILIZER (1.125)	2
7	94135	1/2" SOCKET PIPE PLUG 3/4" TAPER NPTF ZINC	2

KENWORTH PART NUMBER: K444-0375N0102R075

TITLE: 24.5" D x 36" L		UNLESS OTHERWISE SPECIFIED:		NAME	DATE
SIZE <b>C</b>	REV	QC	INITIALS	DRAWN	
		PSI		CHECKED	
		DIMS		ENG APPR.	
		PARTS		MFG APPR.	
TAG		MATERIAL: 5052 H32 ALUMINUM		G.A.	
PKG		FINISH: SEE BOM		COMMENTS:	
		DIMENSIONS ARE IN INCHES			
		TOLERANCES:			
		FRACTIONS: ±			
		ANGULAR: MACH ± BEND ±			
		TWO PLACE DECIMAL ±			
		THREE PLACE DECIMAL ±			
		INTERPRET GEOMETRIC TOLERANCING PER:			
		MATERIAL:			
		5052 H32 ALUMINUM			
		FINISH:			
		SEE BOM			
		DO NOT SCALE DRAWING			

**AlumiTank**<sup>®</sup>  
THE FUEL TANK SPECIALIST

11317 N. US HWY 14 HARVARD, IL 60033 815-943-6649

800-652-6630 FAX 855-774-6918 WWW.ALUMITANK.COM INFO@ALUMITANK.COM

DWG. NO. **AT-KW-1108** REV. **B**

SCALE: 1:10 | WEIGHT: 50.91 | SHEET 2 OF 2