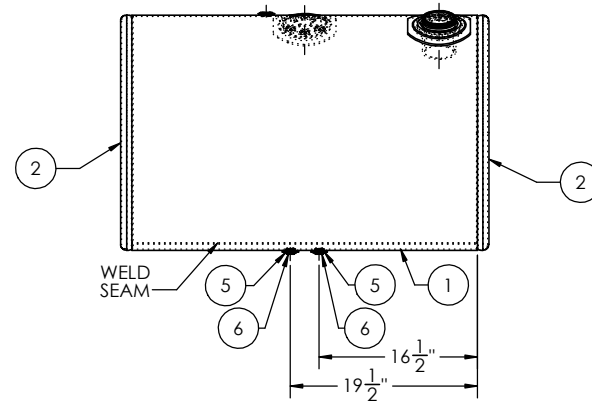
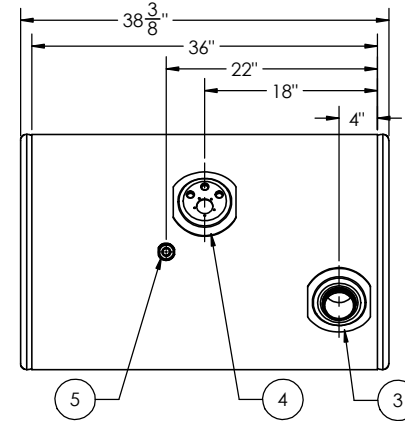
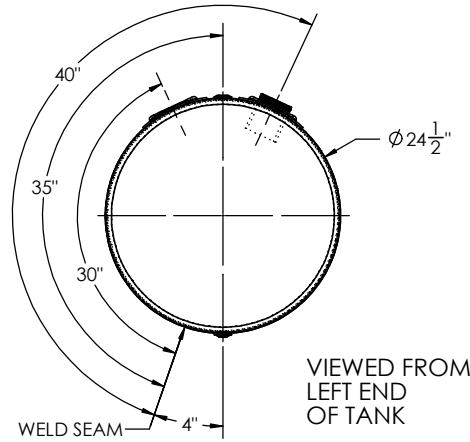
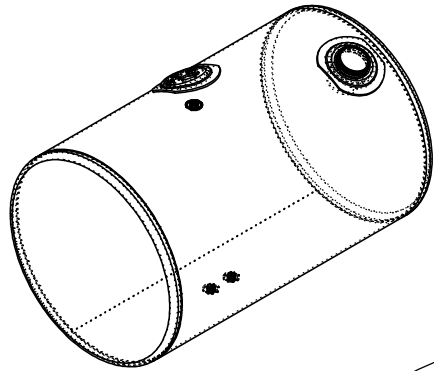


GALLONS	75	71	N/A	N/A
LITERS	284	270	N/A	N/A
	TOTAL CAPACITY	USEABLE CAPACITY	TOTAL CAPACITY	USEABLE CAPACITY
	DIESEL FUEL		BIO-DIESEL/ HYDRAULIC/WATER	

REVISIONS				
ZONE	REV.	DESCRIPTION	DATE	APPROVED
	A	INITIAL RELEASE	03/14/2022	GG



ITEM NO.	PART NUMBER	DESCRIPTION	QTY.
1	BRL-AT-KW-1091	1/8" TANK BARREL	1
2	ECP-3920012100	24 1/2 MILGRADE ALUMINUM END CAP	2
3	FLN-801212200	MILGRADE ALUMINUM KENWORTH FILL NECK	1
4	ADP-832210	MILGRADE ALUMINUM KENWORTH ADAPTER PLATE	1
5	FLG-050220	1/2" NPTF MILGRADE ALUMINUM FLANGE	3
6	94135	1/2" SOCKET PIPE PLUG 3/4" TAPER NPTF ZINC	2

KENWORTH PART NUMBER: K444-0457N0812K075

TITLE:		24.5" X 36" TANK		UNLESS OTHERWISE SPECIFIED:		NAME	DATE
SIZE	REV	QC	INITIALS	DIMENSIONS ARE IN INCHES	FRACTIONAL: ±	DRAWN	
		PSI		TOLERANCES:	ANGULAR: MACH ± BEND ±	CHECKED	
		DIMS			TWO PLACE DECIMAL ±	ENG APPR.	
		PARTS			THREE PLACE DECIMAL ±	MFG APPR.	
TAG				INTERPRET GEOMETRIC TOLERANCING PER:	G.A.		
PKG				MATERIAL:	COMMENTS:		
				5052 H32 ALUMINUM			
				FINISH: SEE BOM			
				DO NOT SCALE DRAWING			

**AlumiTank**<sup>®</sup>  
THE FUEL TANK SPECIALIST

11317 N. US HWY 14 HARVARD, IL 60033 815-943-6649

800-652-6630 FAX 855-774-6918 WWW.ALUMITANK.COM INFO@ALUMITANK.COM

DWG. NO. **AT-KW-1091-GAL** REV. **A**

SCALE: 1:10 | WEIGHT: 48.63 | SHEET 1 OF 1