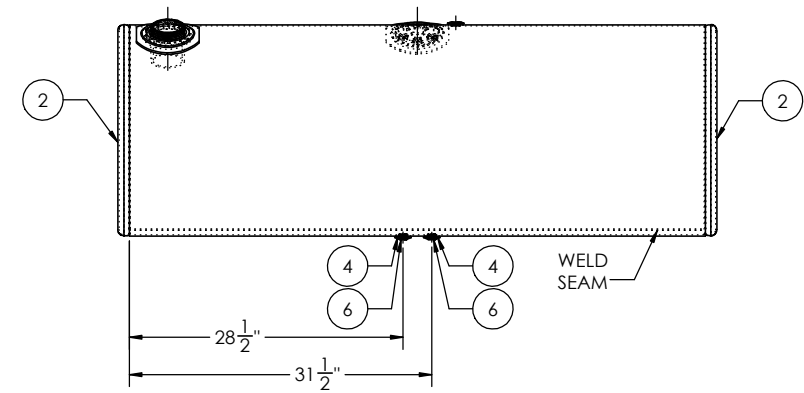
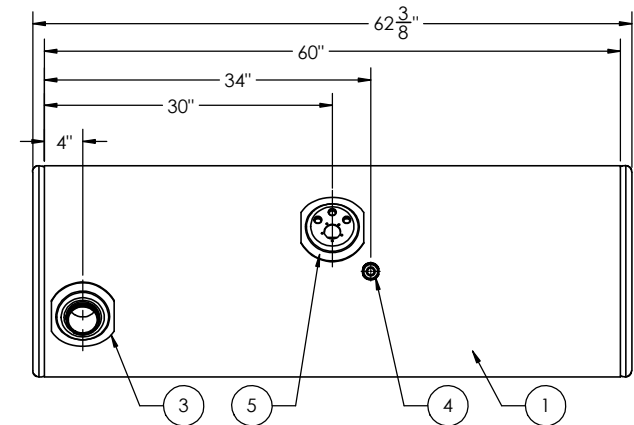
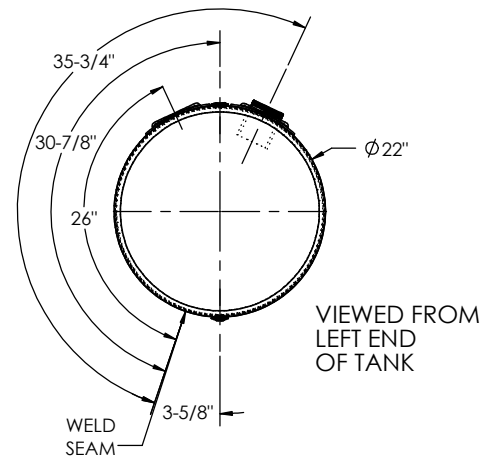
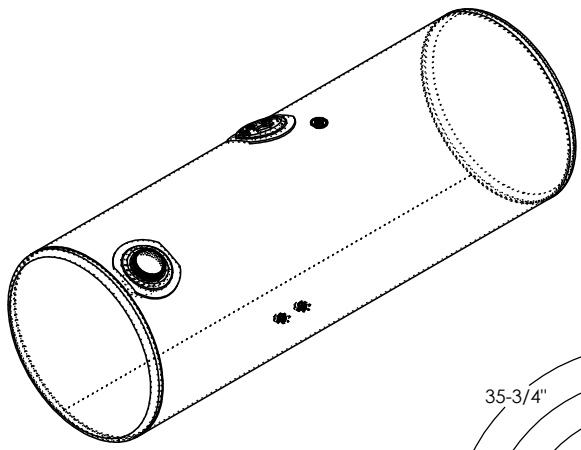


GALLONS	99	94	N/A	N/A
LITERS	374	356	N/A	N/A
	TOTAL CAPACITY	USEABLE CAPACITY	TOTAL CAPACITY	USEABLE CAPACITY
	DIESEL FUEL		BIO-DIESEL/ HYDRAULIC/WATER	

REVISIONS				
ZONE	REV.	DESCRIPTION	DATE	APPROVED
	A	INITIAL RELEASE	05/02/2022	GG



ITEM NO.	PART NUMBER	DESCRIPTION	QTY.
1	BRL-AT-KW-1169	1/8" TANK BARREL	1
2	ECP-3520013100	22" POLISHED ALUMINUM END CAP	2
3	FLN-801212300	POLISHED ALUMINUM KENWORTH FILL NECK	1
4	FLG-050230	1/2" NPTF POLISHED ALUMINUM FLANGE	3
5	ADP-832310	POLISHED ALUMINUM KENWORTH ADAPTER PLATE	1
6	94135	1/2" SOCKET PIPE PLUG 3/4" TAPER NPTF ZINC	2

KENWORTH PART NUMBER: K422-0762N0102U101

TITLE:		UNLESS OTHERWISE SPECIFIED:		NAME	DATE
SIZE C	REV	QC	INITIALS	DRAWN	
		PSI		CHECKED	
		DIMS		ENG APPR.	
		PARTS		MFG APPR.	
TAG		MATERIAL	5052 H32 ALUMINUM	Q.A.	
PKG		FINISH	SEE BOM	COMMENTS:	
		DIMENSIONS ARE IN INCHES			
		TOLERANCES:			
		FRACTIONAL: ±			
		ANGULAR: MACH ± BEND ±			
		TWO PLACE DECIMAL ±			
		THREE PLACE DECIMAL ±			
		INTERPRET GEOMETRIC TOLERANCING PER:			
		DO NOT SCALE DRAWING			

AlumiTank[®]
THE FUEL TANK SPECIALIST

11317 N. US HWY 14 HARVARD, IL 60033 815-943-6649

800-652-6630 FAX 855-774-6918 WWW.ALUMITANK.COM INFO@ALUMITANK.COM

DWG. NO. **AT-KW-1169-GAL** REV. **A**

SCALE: 1:10 | WEIGHT: 62.78 | SHEET 1 OF 1