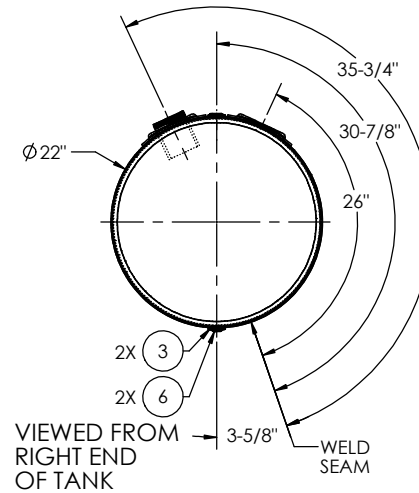
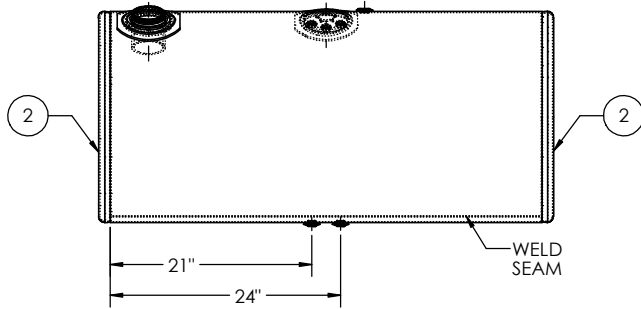
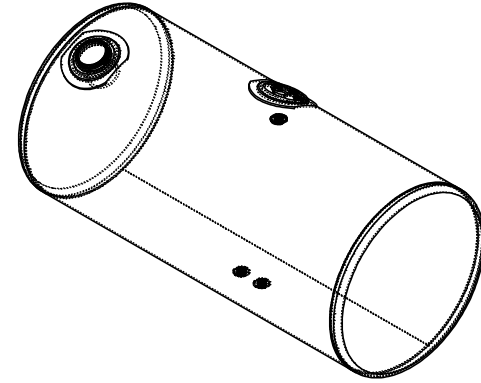
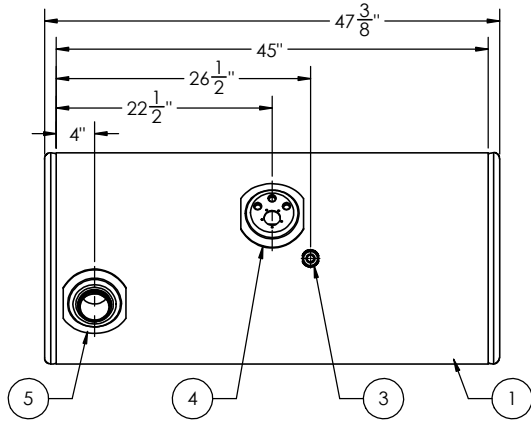


GALLONS	75	71	N/A	N/A
LITERS	283	269	N/A	N/A
	TOTAL CAPACITY	USEABLE CAPACITY	TOTAL CAPACITY	USEABLE CAPACITY
	DIESEL FUEL		BIO-DIESEL/ HYDRAULIC/WATER	



ITEM NO.	PART NUMBER	DESCRIPTION	QTY.
1	00000387	1/8" TANK BARREL	1
2	ECP-3520012100	22" MILGRADE ALUMINUM END CAP	2
3	FLG-050220	1/2" NPTF MILGRADE ALUMINUM FLANGE	3
4	ADP-832210	MILGRADE ALUMINUM KENWORTH ADAPTER PLATE	1
5	FLN-801212200	MILGRADE ALUMINUM KENWORTH FILL NECK	1
6	94135	1/2" SOCKET PIPE PLUG 3/4" TAPER NPTF ZINC	2

TITLE: 22" D x 45" L		UNLESS OTHERWISE SPECIFIED:		NAME	DATE
SIZE <b>C</b>	REV	QC	INITIALS	DRAWN	
		PSI		CHECKED	
		DIMS		ENG APPR.	
		PARTS		MFG APPR.	
TAG		Q.A.		COMMENTS:	
PKG		MATERIAL: 5052 H32 ALUMINUM		11317 N. US HWY 14 800-652-6630	
		FINISH: SEE BOM		HARVARD, IL 60033 FAX 855-774-6918	
		DO NOT SCALE DRAWING		815-943-6649 WWW.ALUMITANK.COM INFO@ALUMITANK.COM	
				DWG. NO. 00000386 REV. A	
				SCALE: 1:10   WEIGHT: 50.31   SHEET 2 OF 2	

