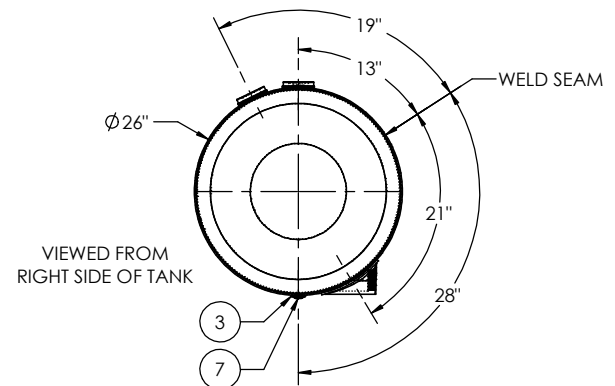
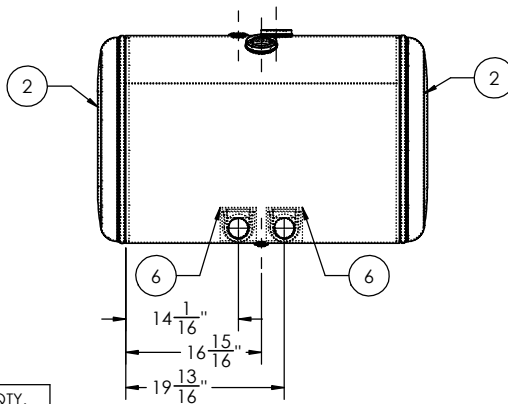
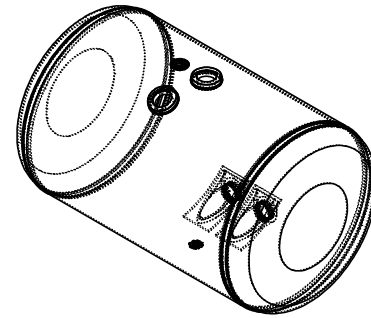
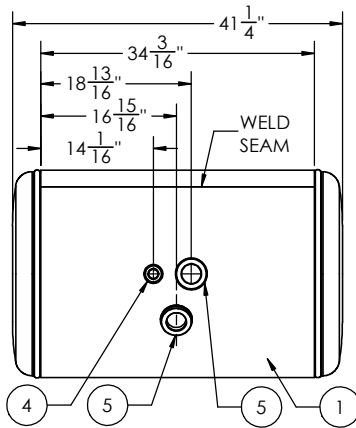
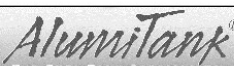


GALLONS	N/A	N/A	90	90
LITERS	N/A	N/A	342	342
	TOTAL CAPACITY	USEABLE CAPACITY	TOTAL CAPACITY	USEABLE CAPACITY
	DIESEL FUEL		BIO-DIESEL/ HYDRAULIC/WATER	



ITEM NO.	PART NUMBER	DESCRIPTION	QTY.
1	00035057	1/8" TANK BARREL	1
2	ECP-4160013200	26" POLISHED ALUMINUM PETERBILT STYLE END CAP	2
3	FLG-050230	1/2" NPTF POLISHED ALUMINUM FLANGE	1
4	FLG-070230	1" NPTF POLISHED ALUMINUM FLANGE	1
5	FLG-00282231	SAE #32 POLISHED ALUMINUM FLANGE TYPE 1	2
6	COC-0282210	SAE #32 CAST ALUMINUM CASTING	2
7	94135	1/2" SOCKET PIPE PLUG 3/4" TAPER NPTF ZINC	1

TITLE: 26" D x 34.1875" L		UNLESS OTHERWISE SPECIFIED: DIMENSIONS ARE IN INCHES TOLERANCES: FRACTIONAL: ± ANGULAR: MACH ± BEND ± TWO PLACE DECIMAL ± THREE PLACE DECIMAL ±		NAME	DATE
SIZE C	REV	QC	INITIALS	DRAWN	
		PSI		CHECKED	
		DIMS		ENG APPR.	
		PARTS		MFG APPR.	
	TAG			Q.A.	
	PKG			COMMENTS:	
<small>PROPRIETARY AND CONFIDENTIAL</small> <small>THE INFORMATION CONTAINED IN THIS DRAWING IS THE SOLE PROPERTY OF ALUMITANK. ANY REPRODUCTION IN PART OR AS A WHOLE WITHOUT THE WRITTEN PERMISSION OF ALUMITANK IS PROHIBITED.</small>		<small>MATERIAL:</small> 5052 H32 ALUMINUM <small>FINISH:</small> SEE BOM <small>DO NOT SCALE DRAWING</small>		 <small>11317 N. US HWY 14 HARVARD, IL 60033 815-943-6649</small> <small>800-652-6630 FAX 855-774-6918 WWW.ALUMITANK.COM INFO@ALUMITANK.COM</small>	
				DWG. NO. 00035056	REV. A
				SCALE: 1:10 WEIGHT: 55.78 SHEET 2 OF 2	