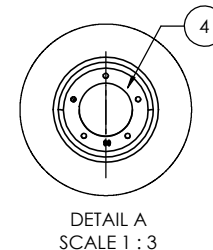
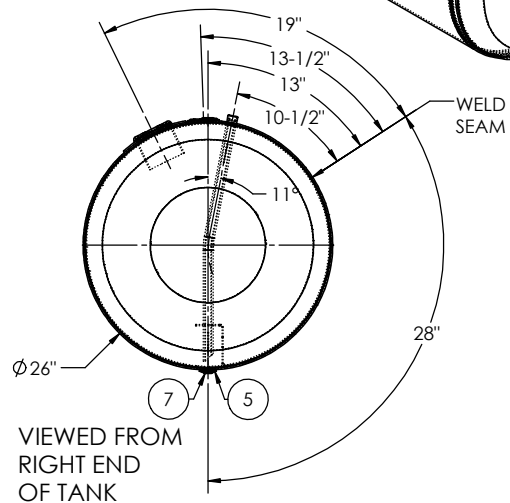
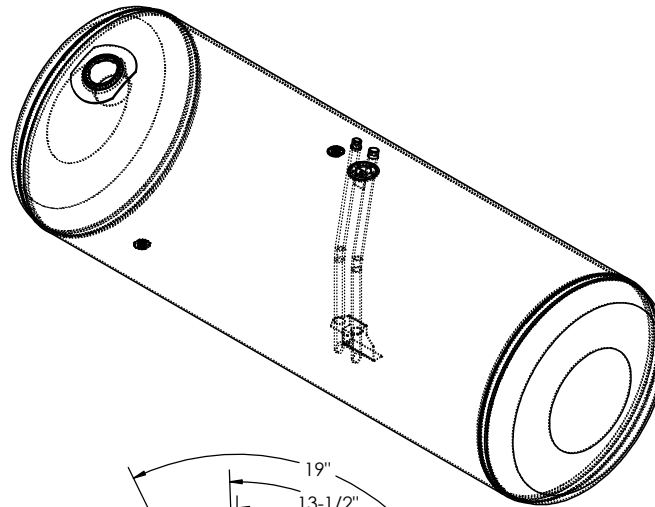
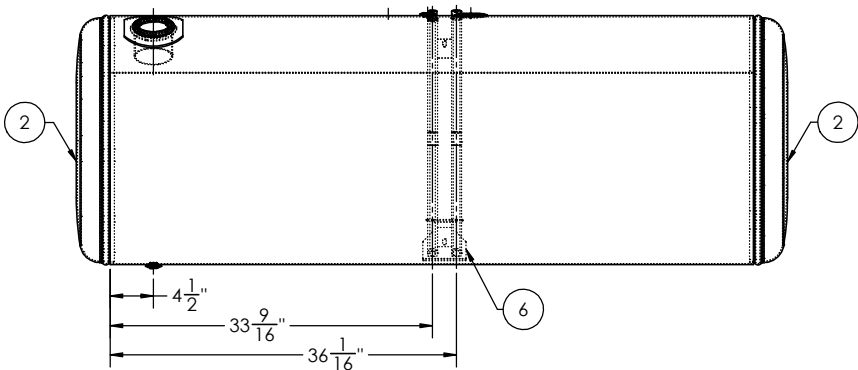
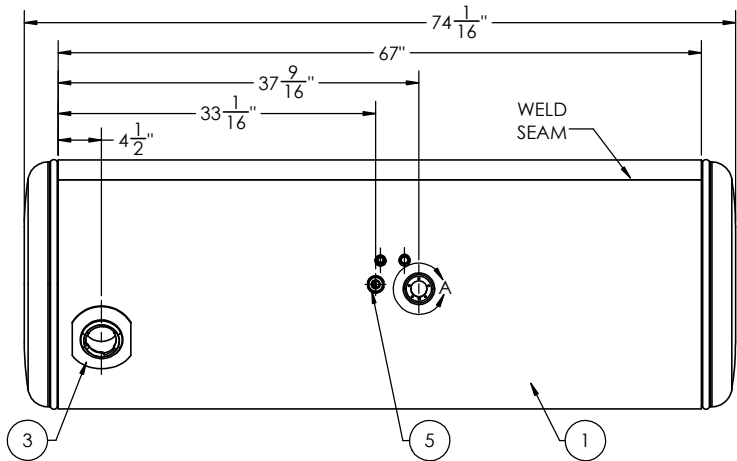


GALLONS	164	156	N/A	N/A
LITERS	621	590	N/A	N/A
	TOTAL CAPACITY	USEABLE CAPACITY	TOTAL CAPACITY	USEABLE CAPACITY
	DIESEL FUEL		BIO-DIESEL/ HYDRAULIC/WATER	



ITEM NO.	PART NUMBER	DESCRIPTION	QTY.
1	00029431	1/8" TANK BARREL	1
2	ECP-4160013200	26" POLISHED ALUMINUM PETERBILT STYLE END CAP	2
3	FLN-110022300	POLISHED ALUMINUM PETERBILT FILL NECK	1
4	BSE-00183210	CURVED 90 POLISHED ALUMINUM SENDER BASE	1
5	FLG-050230	1/2" NPTF POLISHED ALUMINUM FLANGE	2
6	DTA-311241630	26" POLISHED PETERBILT TUBE ASSEMBLY	1
7	94135	1/2" SOCKET PIPE PLUG 3/4" TAPER NPTF ZINC	1

TITLE: 26" D X 67" L		UNLESS OTHERWISE SPECIFIED:		NAME	DATE
SIZE C	REV	QC	INITIALS	DRAWN	
		PSI		CHECKED	
		DIMS		ENG APPR.	
		PARTS		MFG APPR.	
TAG		INTERPRET GEOMETRIC TOLERANCING PER:	COMMENTS:		
PKG		MATERIAL: 5052 H32 ALUMINUM	D.A.		
		FINISH: SEE BOM	11317 N. US HWY 14 800-452-6630		
		DO NOT SCALE DRAWING	HARVARD, IL 60033 FAX 855-774-6918		
				WWW.ALUMITANK.COM	
				INFO@ALUMITANK.COM	
				DWG. NO. 00029430	
				REV. A	
				SCALE: 1:10 WEIGHT: 87.54 SHEET 2 OF 2	

