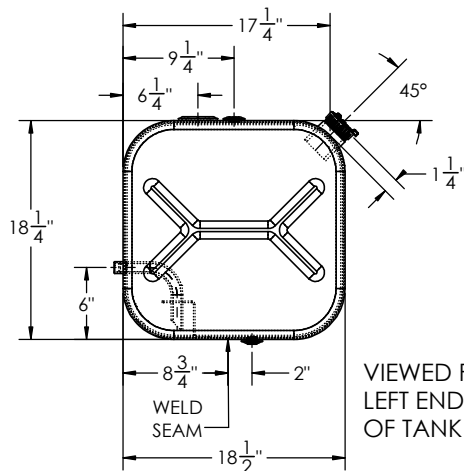
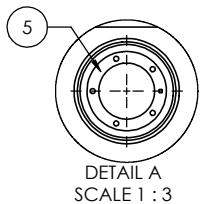
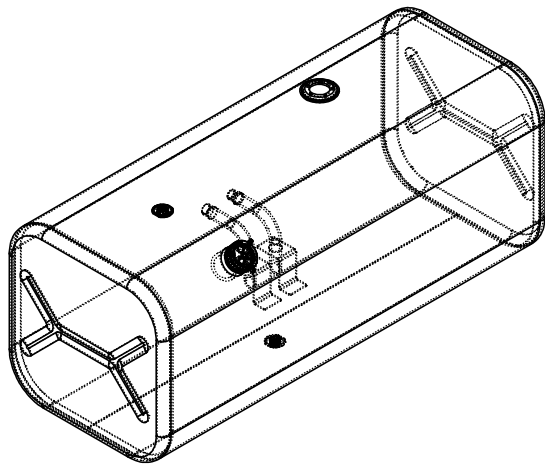
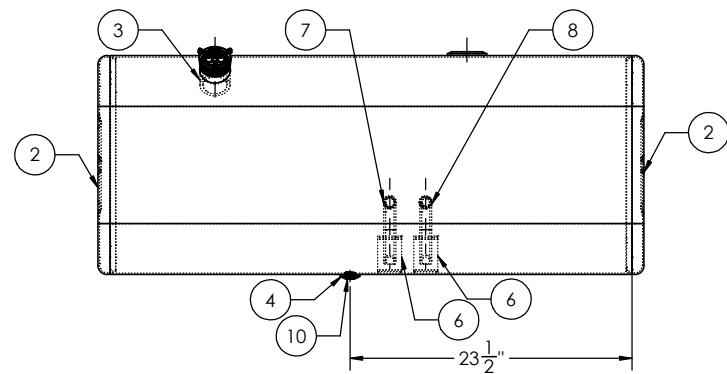
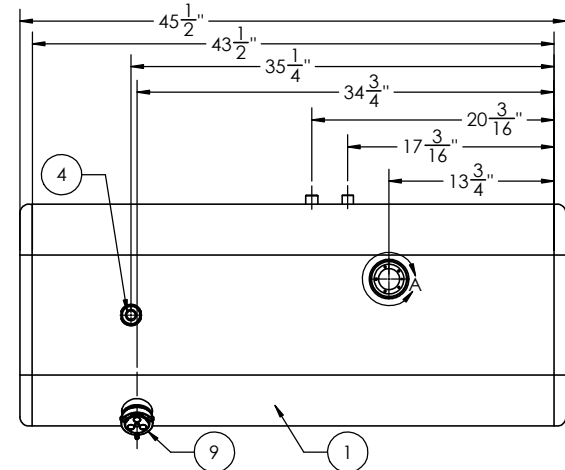


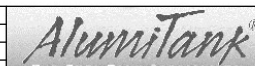
| | | | | |
|---------|----------------|------------------|--------------------------------|------------------|
| GALLONS | 61 | 58 | N/A | N/A |
| LITERS | 229 | 218 | N/A | N/A |
| | TOTAL CAPACITY | USEABLE CAPACITY | TOTAL CAPACITY | USEABLE CAPACITY |
| | DIESEL FUEL | | BIO-DIESEL/ HYDRAULIC/WATER | |



VIEWED FROM
LEFT END
OF TANK



| ITEM NO. | PART NUMBER | DESCRIPTION | QTY. |
|----------|-------------------|--|------|
| 1 | BRL-AT-FL-2058 | 1/8" TANK BARREL | 1 |
| 2 | ECP-029229612600 | 18-1/4" X 18-1/2" MILGRADE ALUMINUM RECTANGULAR END CAP | 2 |
| 3 | FLN-0481012230 | 3" LONG - 2" NPSM - 11.5 TPI MILGRADE ALUMINUM FILL NECK | 1 |
| 4 | FLG-050220 | 1/2" NPTF MILGRADE ALUMINUM FLANGE | 2 |
| 5 | BSE-00182230 | FLAT MILGRADE ALUMINUM SENDER BASE | 1 |
| 6 | STR-018 (1.125) | SHORT SMALL TUBE STABILIZER (1.125) | 2 |
| 7 | TBS-50120100096 | 1/2" NPTF BENT ALUMINUM TUBE | 1 |
| 8 | TBS-40120100096 | 3/8" NPTF BENT ALUMINUM TUBE TYPE 1 SIX INCHES UP | 1 |
| 9 | FCP-1330 (600133) | 2" NON-VENTED, NON-LOCK CAP | 1 |
| 10 | 94135 | 1/2" SOCKET PIPE PLUG 3/4" TAPER NPTF ZINC | 1 |

| | | | | | |
|--|-----|---|----------|---|------|
| TITLE: 18.25" H x 18.5" W x 43.5" L | | UNLESS OTHERWISE SPECIFIED: DIMENSIONS ARE IN INCHES TOLERANCES: FRACTIONAL: ± ANGULAR: MACH ± BEND ± TWO PLACE DECIMAL ± THREE PLACE DECIMAL ± | | NAME | DATE |
| SIZE C | REV | QC | INITIALS | DRAWN | |
| | | PSI | | CHECKED | |
| | | DIMS | | ENG APPR. | |
| | | PARTS | | MFG APPR. | |
| | | TAG | | G.A. | |
| | | PKG | | COMMENTS: | |
| <small>PROPRIETARY AND CONFIDENTIAL</small> <small>THE INFORMATION CONTAINED IN THIS DRAWING IS THE SOLE PROPERTY OF ALUMITANK. ANY REPRODUCTION IN PART OR AS A WHOLE WITHOUT THE WRITTEN PERMISSION OF ALUMITANK IS PROHIBITED.</small> | | <small>MATERIAL:</small> 5052 H32 ALUMINUM <small>FINISH:</small> SEE BOM <small>DO NOT SCALE DRAWING</small> | |  <small>THE FUEL TANK SPECIALIST</small> 11317 N. US HWY 14 HARVARD, IL 60033 815-943-6649 800-452-6630 FAX 855-774-6918 WWW.ALUMITANK.COM INFO@ALUMITANK.COM | |
| | | | | DWG. NO. AT-FL-2058 SCALE: 1:8 WEIGHT: 46.36 SHEET 2 OF 2 | |
| | | | | REV. A | |