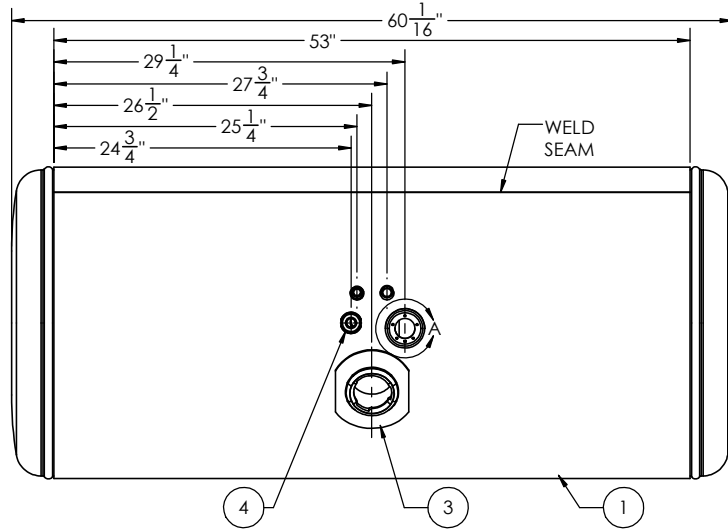
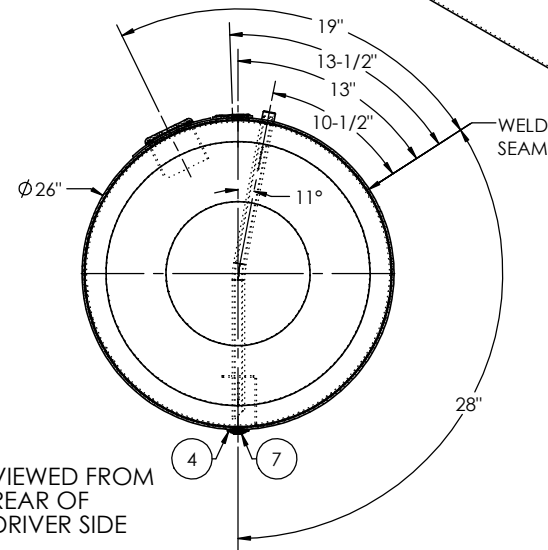
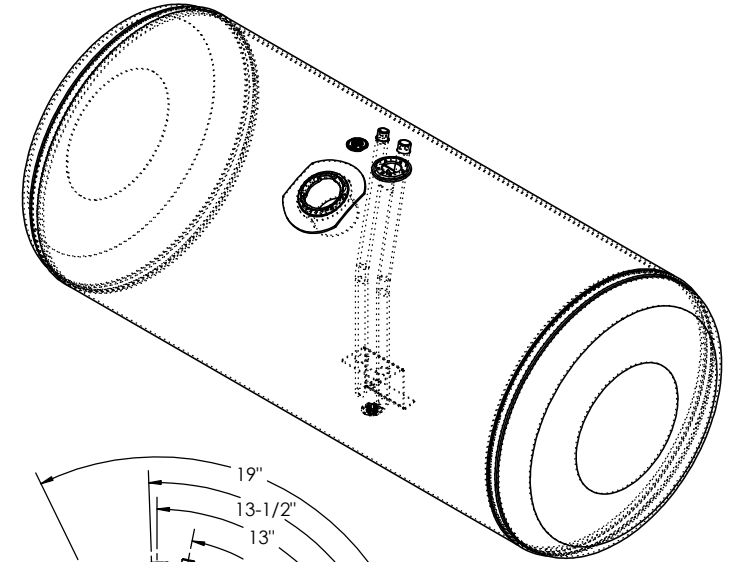
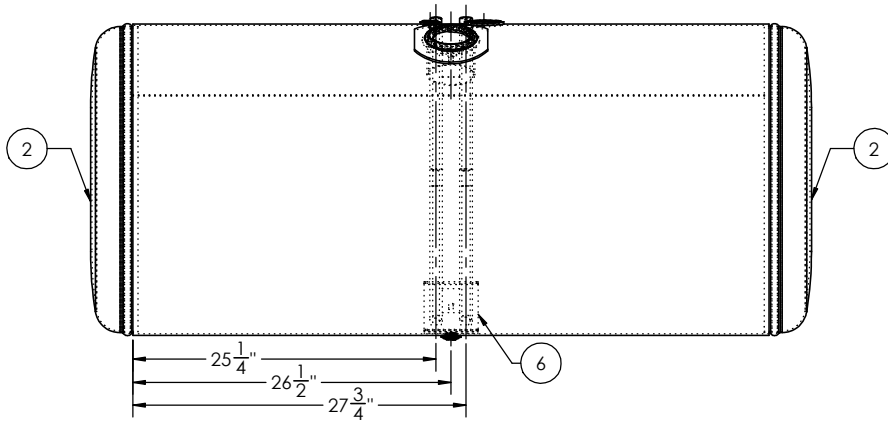


GALLONS	133	126	N/A	N/A
LITERS	502	477	N/A	N/A
	TOTAL CAPACITY	USEABLE CAPACITY	TOTAL CAPACITY	USEABLE CAPACITY
	DIESEL FUEL		BIO-DIESEL/ HYDRAULIC/WATER	

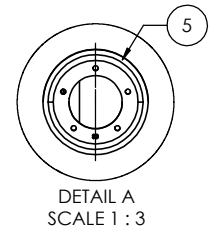
REVISIONS				
ZONE	REV.	DESCRIPTION	DATE	APPROVED
	A	INITIAL RELEASE	01/15/2022	ACH



← TRUCK FRONT  
DRIVER SIDE



VIEWED FROM  
REAR OF  
DRIVER SIDE



ITEM NO.	PART NUMBER	DESCRIPTION	QTY.
1	BRL-AT-PB-1157	1/8" TANK BARREL	1
2	ECP-4160012200	26" MILGRADE ALUMINUM PETERBILT STYLE END CAP	2
3	FLN-110022200	MILGRADE ALUMINUM PETERBILT FILL NECK	1
4	FLG-050220	1/2" NPTF MILGRADE ALUMINUM FLANGE	2
5	BSE-00182210	CURVED 90 MILGRADE ALUMINUM SENDER BASE	1
6	DTA-311241620	26" MILGRADE PETERBILT TUBE ASSEMBLY	1
7	94135	1/2" SOCKET PIPE PLUG 3/4" TAPER NPTF ZINC	1

PETERBILT PART NUMBER: 11-04827-062T067U

TITLE:		UNLESS OTHERWISE SPECIFIED:		NAME	DATE
SIZE <b>C</b>	REV	QC	INITIALS	DRAWN	
		PSI		CHECKED	
		DIMS		ENG APPR.	
		PARTS		MFG APPR.	
TAG		Q.A.		COMMENTS:	
PKG		MATERIAL	5052 H32 ALUMINUM		
		FINISH	SEE BOM		
		DO NOT SCALE DRAWING			

**AlumiTank**<sup>®</sup>  
THE FUEL TANK SPECIALIST

11317 N. US HWY 14 HARVARD, IL 60033 815-943-6649

800-652-6630 FAX 855-774-6918 WWW.ALUMITANK.COM INFO@ALUMITANK.COM

DWG. NO. **AT-PB-1157-GAL** REV. **A**

SCALE: 1:8 WEIGHT: 73.88 SHEET 1 OF 1