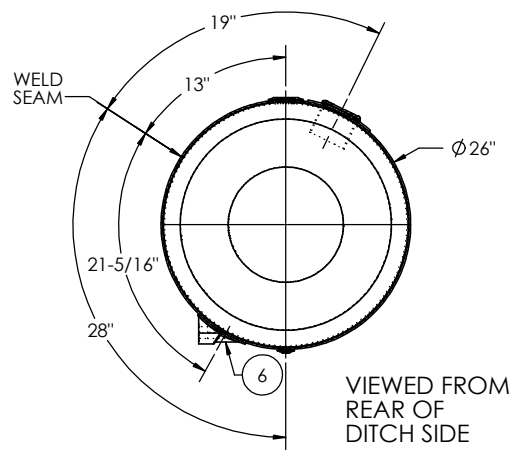
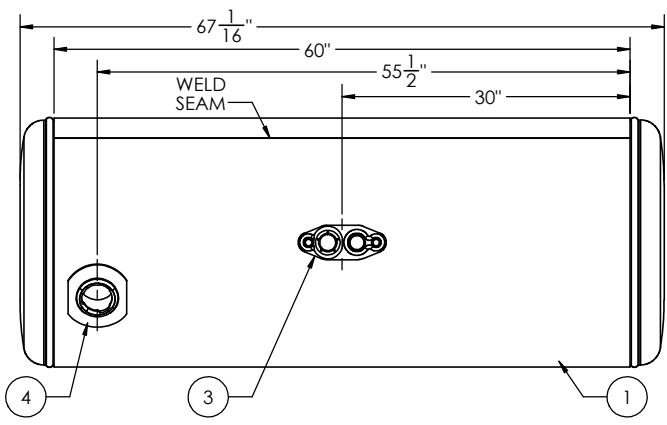
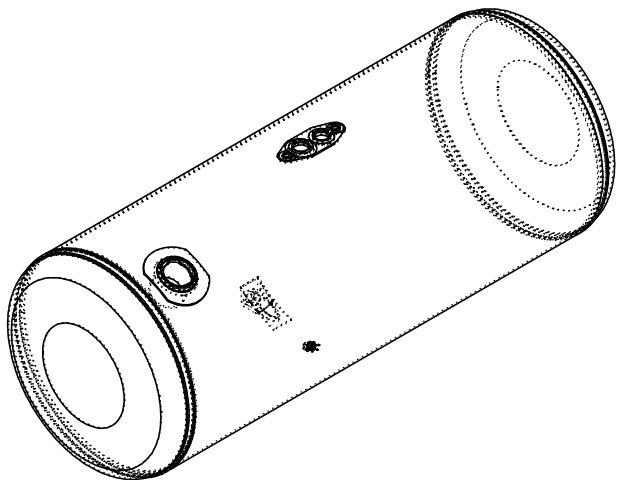
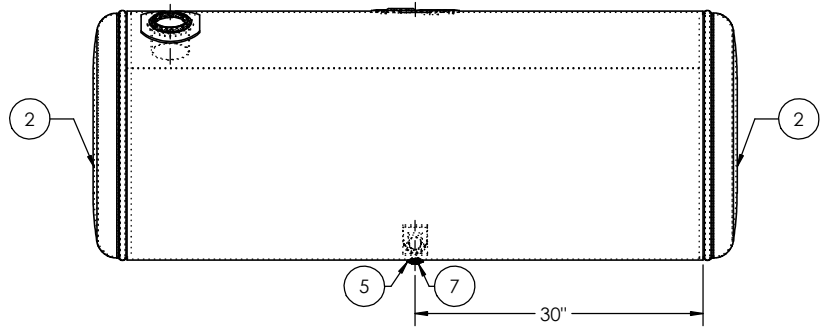


GALLONS	148	141		
LITERS	561	533		
	TOTAL CAPACITY	USABLE CAPACITY	TOTAL CAPACITY	USEABLE CAPACITY
	DIESEL FUEL		BIO-DIESEL/ HYDRAULIC/WATER	

REVISIONS				
ZONE	REV.	DESCRIPTION	DATE	APPROVED
	A	INITIAL RELEASE FROM LEGACY	07/15/2021	CB
D3	B	FIXED GALLONAGE TABLE	07/19/2021	NF



TRUCK FRONT
DITCH SIDE →



ITEM NO.	PART NUMBER	DESCRIPTION	QTY.
1	BRL-AT-PB-1006	1/8" TANK BARREL	1
2	ECP-4160013200	26" POLISHED ALUMINUM PETERBILT STYLE END CAP	2
3	ADP-1132310	POLISHED ALUMINUM PETERBILT ADAPTER PLATE	1
4	FLN-110022300	POLISHED ALUMINUM PETERBILT FILL NECK	1
5	FLG-050230	1/2" NPTF POLISHED ALUMINUM FLANGE	1
6	COC-70210	1" NPTF CAST ALUMINUM CASTING	1
7	94135	1/2" SOCKET PIPE PLUG 3/4" TAPER NPTF ZINC	1

TITLE: 26x60		UNLESS OTHERWISE SPECIFIED:		NAME	DATE
SIZE C	REV	QC	INITIALS	DRAWN	
		PSI		CHECKED	
		DIMS		ENG APPR.	
		PARTS		MFG APPR.	
TAG		MATERIAL: 5052 H32 ALUMINUM		11317 N. US HWY 14 800-652-6630	
PKG		FINISH: SEE BOM		HARVARD, IL 60033 FAX 855-774-6918	
		DO NOT SCALE DRAWING		815-943-6649 WWW.ALUMITANK.COM INFO@ALUMITANK.COM	
<small> PROPRIETARY AND CONFIDENTIAL THE INFORMATION CONTAINED IN THIS DRAWING IS THE SOLE PROPERTY OF ALUMITANK. ANY REPRODUCTION IN PART OR AS A WHOLE WITHOUT THE WRITTEN PERMISSION OF ALUMITANK IS PROHIBITED. </small>				<small> COMMENTS: </small>	
				DWG. NO. AT-PB-1006	
				REV. B	
<small> SCALE: 1:10 WEIGHT: 78.74 SHEET 1 OF 1 </small>					

