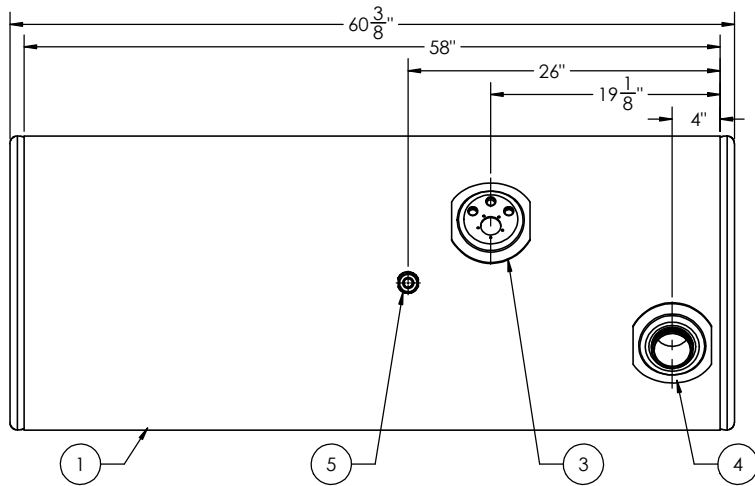
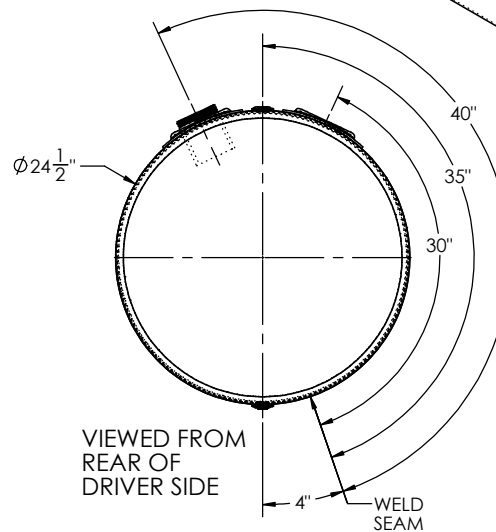
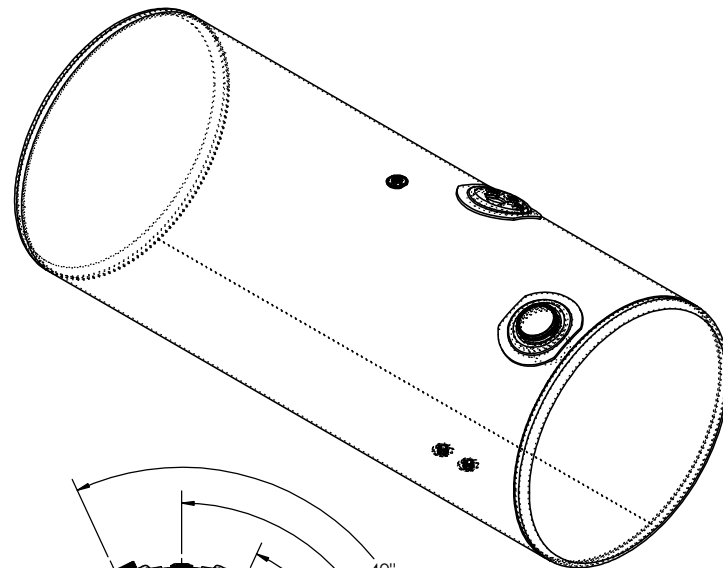
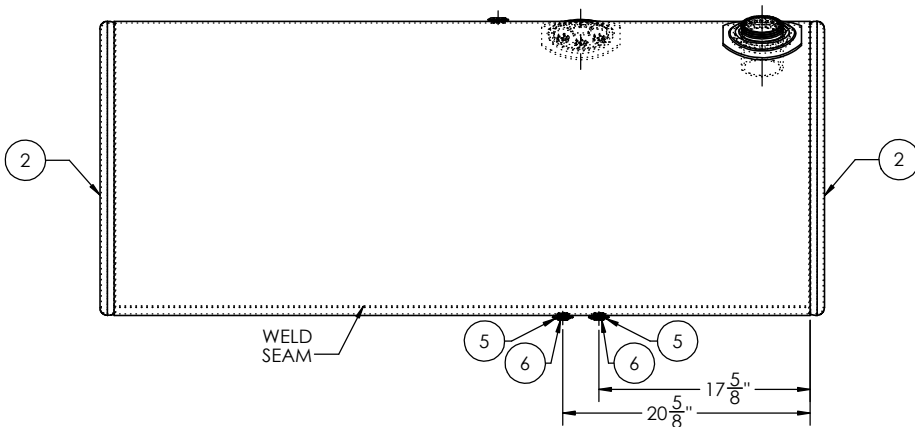


GALLONS	119	113	N/A	N/A
LITERS	450	428	N/A	N/A
	TOTAL CAPACITY	USEABLE CAPACITY	TOTAL CAPACITY	USEABLE CAPACITY
	DIESEL FUEL		BIO-DIESEL/ HYDRAULIC/WATER	

REVISIONS				
ZONE	REV.	DESCRIPTION	DATE	APPROVED
	A	INITIAL RELEASE	03/08/2022	GG



← TRUCK FRONT DRIVER SIDE



ITEM NO.	PART NUMBER	DESCRIPTION	QTY.
1	BRL-AT-KW-1009	1/8" TANK BARREL	1
2	ECP-3920012100	24 1/2 MILGRADE ALUMINUM END CAP	2
3	ADP-832210	MILGRADE ALUMINUM KENWORTH ADAPTER PLATE	1
4	FLN-801212200	MILGRADE ALUMINUM KENWORTH FILL NECK	1
5	FLG-050220	1/2" NPTF MILGRADE ALUMINUM FLANGE	3
6	94135	1/2" SOCKET PIPE PLUG 3/4" TAPER NPTF ZINC	2

TITLE: 24.5"x58" TANK		UNLESS OTHERWISE SPECIFIED:		NAME	DATE
SIZE <b>C</b>	REV	QC	INITIALS	DRAWN	
		PSI		CHECKED	
		DIMS		ENG APPR.	
		PARTS		MFG APPR.	
TAG		QA		COMMENTS:	
PKG		MATERIAL: 5052 H32 ALUMINUM		11317 N. US HWY 14 800-452-6630	
FRESH		TOLERANCING PER:		HARVARD, IL 60033 FAX 855-774-6918	
DO NOT SCALE DRAWING		INTERPRET GEOMETRIC TOLERANCING PER:		815-943-6649 WWW.ALUMITANK.COM INFO@ALUMITANK.COM	
				DWG. NO. AT-KW-1009-GAL	
				REV. A	
				SCALE: 1:8 WEIGHT: 69.00 SHEET 1 OF 1	

