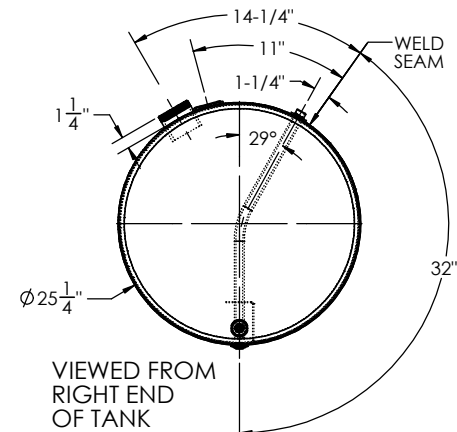
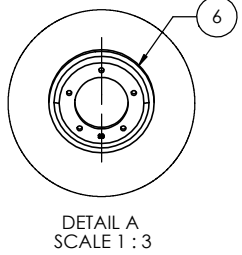
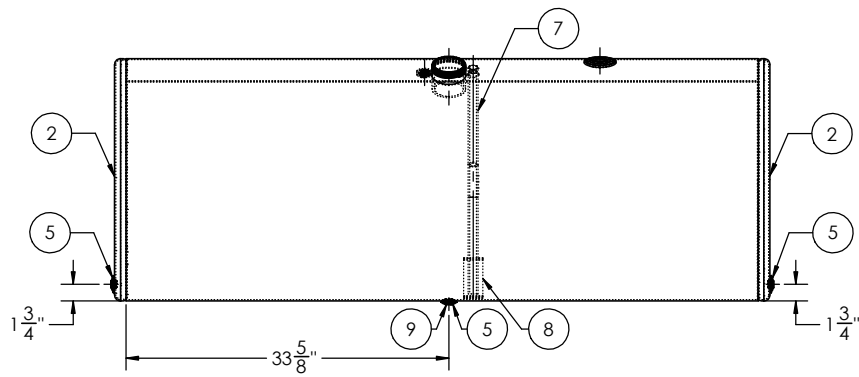
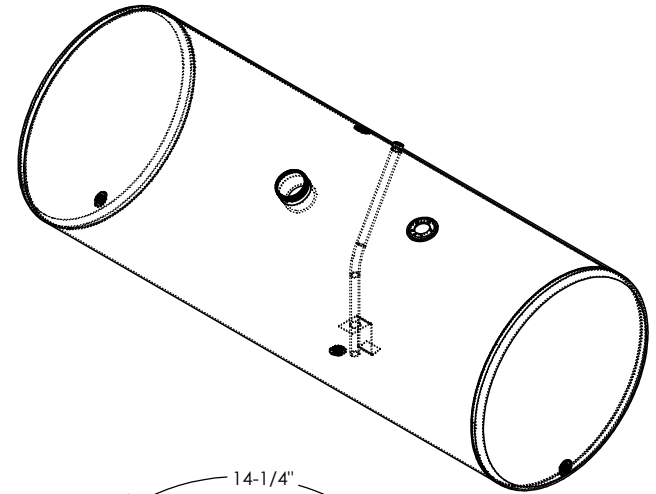
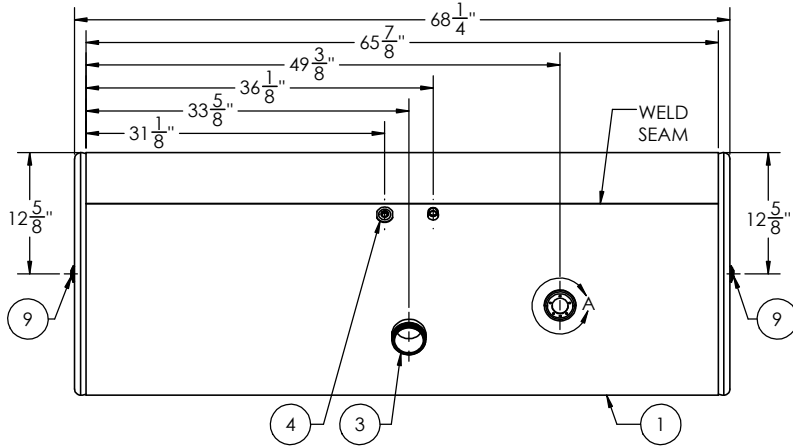


GALLONS	143	136	N/A	N/A
LITERS	542	515	N/A	N/A
	TOTAL CAPACITY	USEABLE CAPACITY	TOTAL CAPACITY	USEABLE CAPACITY
	DIESEL FUEL		BIO-DIESEL/ HYDRAULIC/WATER	



ITEM NO.	PART NUMBER	DESCRIPTION	QTY.
1	BRL-AT-MK-1028	1/8" TANK BARREL	1
2	ECP-4040012102	25-1/4" MILGRADE ALUMINUM END CAP WITH 1/2" FLANGE	2
3	FLN-0481212210	3" LONG - 3" NPSM - 8 TPI MILGRADE ALUMINUM FILL NECK	1
4	FLG-040220	3/8" NPTF MILGRADE ALUMINUM FLANGE	1
5	FLG-050220	1/2" NPTF MILGRADE ALUMINUM FLANGE	3
6	BSE-00182210	CURVED 90 MILGRADE ALUMINUM SENDER BASE	1
7	TBS-501200	1/2" NPTF TUBE	1
8	STR-001 (DIA 25.25 TUBE 1.125)	SMALL TUBE STABILZER (1.125)	1
9	94135	1/2" SOCKET PIPE PLUG 3/4" TAPER NPTF ZINC	3

TITLE: 25.25" D x 65.875" L		UNLESS OTHERWISE SPECIFIED:		NAME	DATE
SIZE C	REV	QC	INITIALS	DRAWN	
		PSI		CHECKED	
		DIMS		ENG APPR.	
		PARTS		MFG APPR.	
	TAG			G.A.	
	PKG			COMMENTS:	
DIMENSIONS ARE IN INCHES TOLERANCES: FRACTIONAL: ± ANGULAR: MACH ± BEND ± TWO PLACE DECIMAL ± THREE PLACE DECIMAL ±		INTERPRET GEOMETRIC TOLERANCING PER: MATERIAL: 5052 H32 ALUMINUM FINISH: SEE BOM DO NOT SCALE DRAWING		11317 N. US HWY 14 HARVARD, IL 60033 815-943-6649 800-652-6630 FAX 855-774-6918 WWW.ALUMITANK.COM INFO@ALUMITANK.COM	
PROPRIETARY AND CONFIDENTIAL THE INFORMATION CONTAINED IN THIS DRAWING IS THE SOLE PROPERTY OF ALUMITANK. ANY REPRODUCTION IN PART OR AS A WHOLE WITHOUT THE WRITTEN PERMISSION OF ALUMITANK IS PROHIBITED.				DWG. NO. AT-MK-1028 REV. B SCALE: 1:10 WEIGHT: 79.10 SHEET 1 OF 1	

AlumiTank[®]
THE FUEL TANK SPECIALIST