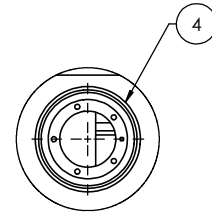
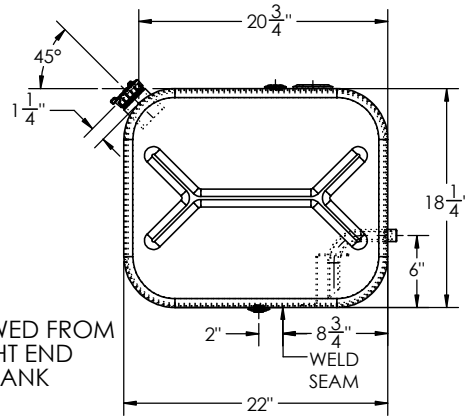
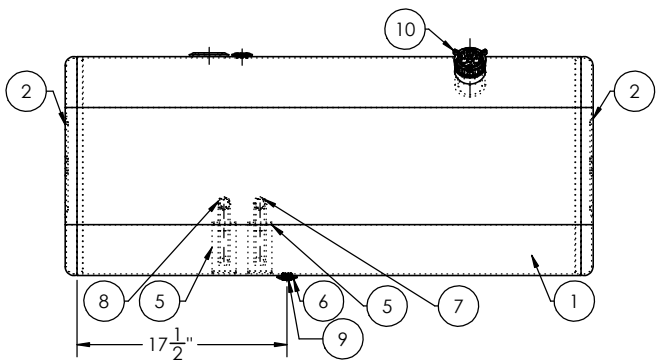
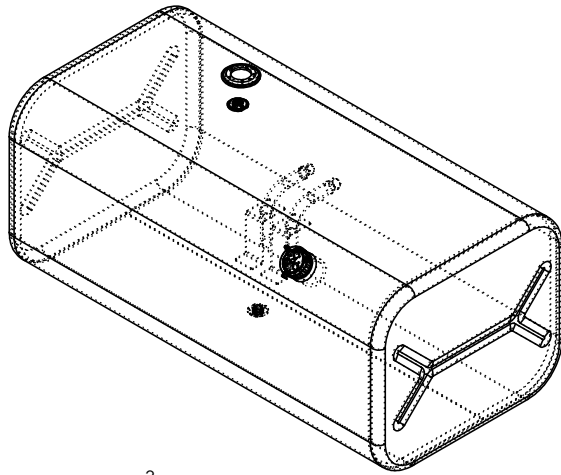
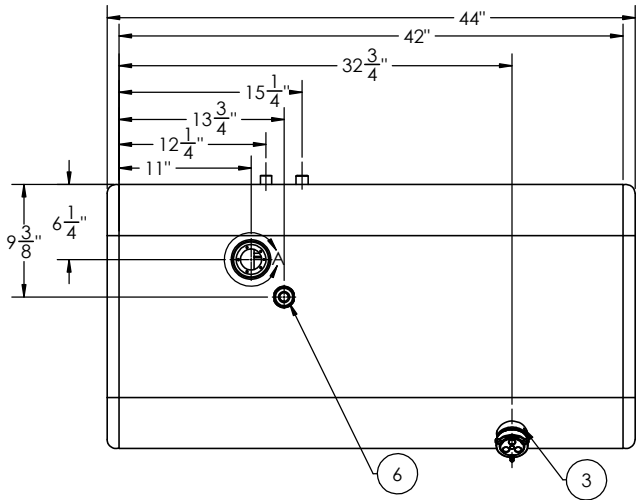


GALLONS	71	67	N/A	N/A
LITERS	267	254	N/A	N/A
	TOTAL CAPACITY	USEABLE CAPACITY	TOTAL CAPACITY	USEABLE CAPACITY
	DIESEL FUEL		BIO-DIESEL/ HYDRAULIC/WATER	

REVISIONS				
ZONE	REV.	DESCRIPTION	DATE	APPROVED
	A	INITIAL RELEASE	04/27/2022	ACH



DETAIL A
SCALE 1 : 3

ITEM NO.	PART NUMBER	DESCRIPTION	QTY.
1	BRL-AT-FL-2086	1/8" TANK BARREL	1
2	ECP-029235212600	18-1/4" X 22" MILGRADE ALUMINUM RECTANGULAR END CAP	2
3	FLN-0481012230	3" LONG - 2" NPSM - 11.5 TPI MILGRADE ALUMINUM FILL NECK	1
4	BSE-00182230	FLAT MILGRADE ALUMINUM SENDER BASE	1
5	STR-001 (FLAT 1.125)	SMALL TUBE STABILIZER (1.125)	2
6	FLG-050220	1/2" NPTF MILGRADE ALUMINUM FLANGE	2
7	TBS-50120100096	1/2" NPTF BENT ALUMINUM TUBE TYPE 1 SIX INCHES UP	1
8	TBS-40120100096	3/8" NPTF BENT ALUMINUM TUBE TYPE 1 SIX INCHES UP	1
9	94135	1/2" SOCKET PIPE PLUG 3/4" TAPER NPTF ZINC	1
10	FCP-1330 (600133)	2" NON-VENTED, NON-LOCK CAP	1

VIEWS FROM
RIGHT END
OF TANK

FREIGHTLINER PART NUMBER: A03-39007-000

TITLE:		UNLESS OTHERWISE SPECIFIED:		NAME	DATE
SIZE C	REV	QC	INITIALS	DRAWN	
		PSI		CHECKED	
		DIMS		ENG APPR.	
		PARTS		MFG APPR.	
TAG		MATERIAL		COMMENTS:	
PKG		5052 H32 ALUMINUM		11317 N. US HWY 14 800-452-6630	
		FINISH		HARVARD, IL 60033 FAX 855-774-6918	
		DO NOT SCALE DRAWING		WWW.ALUMITANK.COM	
				815-943-6649	
				DWG. NO.	
				AT-FL-2086-GAL	
				SCALE: 1:8 WEIGHT: 50.52 SHEET 1 OF 1	



REV. **A**