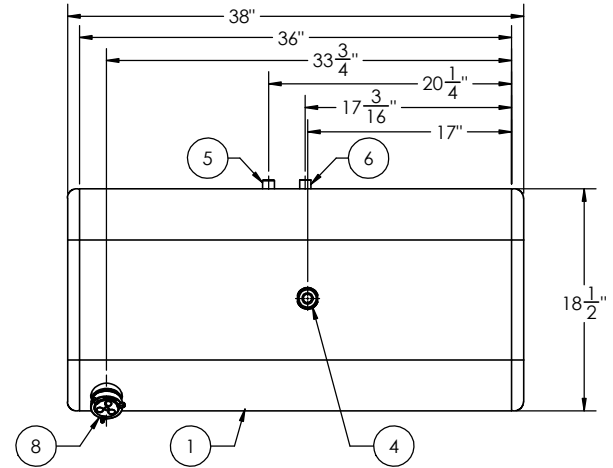
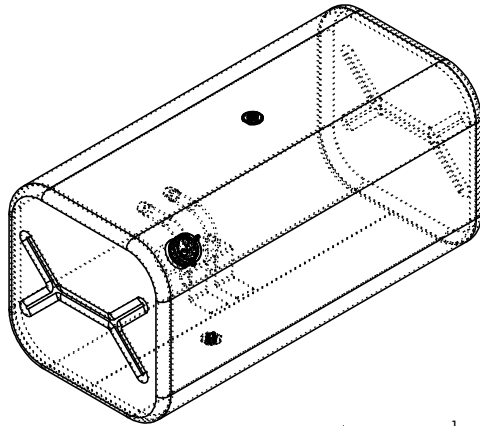
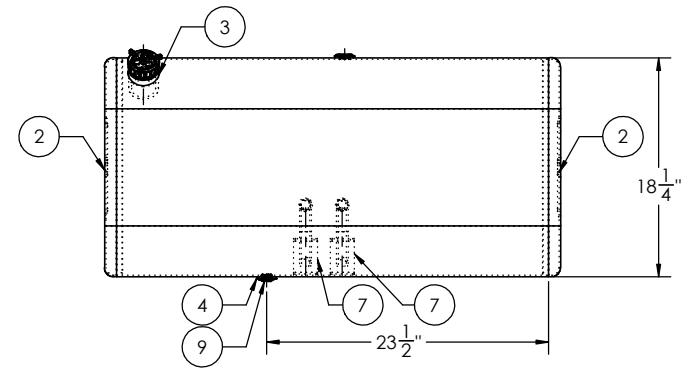
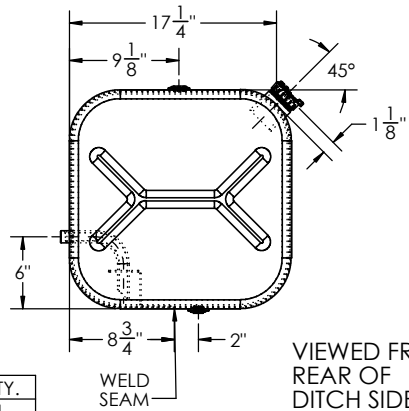


GALLONS	51	48	N/A	N/A
LITERS	191	182	N/A	N/A
	TOTAL CAPACITY	USEABLE CAPACITY	TOTAL CAPACITY	USEABLE CAPACITY
	DIESEL FUEL		BIO-DIESEL/ HYDRAULIC/WATER	

REVISIONS				
ZONE	REV.	DESCRIPTION	DATE	APPROVED
	A	INITIAL RELEASE	06/22/2022	GG



TRUCK FRONT  
DITCH SIDE →



ITEM NO.	PART NUMBER	DESCRIPTION	QTY.
1	BRL-AT-FL-2012	1/8" TANK BARREL	1
2	ECP-029229612600	18-1/4" X 18-1/2" MILGRADE ALUMINUM RECTANGULAR END CAP	2
3	FLN-0481012230	3" LONG - 2" NPSM - 11.5 TPI MILGRADE ALUMINUM FILL NECK	1
4	FLG-050220	1/2" NPTF MILGRADE ALUMINUM FLANGE	2
5	TBS-50120100096	1/2" NPTF BENT ALUMINUM TUBE TYPE 1 SIX INCHES UP	1
6	TBS-40120100096	3/8" NPTF BENT ALUMINUM TUBE TYPE 1 SIX INCHES UP	1
7	STR-017	TUBE STABILIZER	2
8	FCP-1330 (600133)	2" NON-VENTED, NON-LOCK CAP	1
9	94135	1/2" SOCKET PIPE PLUG 3/4" TAPER NPTF ZINC	1

FREIGHTLINER PART NUMBER: A03-35654-203

TITLE: 18.25'x18.5'x36" TANK		UNLESS OTHERWISE SPECIFIED:		DRAWN		NAME		DATE	
SIZE <b>C</b>	REV	QC	INITIALS	DIMENSIONS ARE IN INCHES		TOLERANCES:		CHECKED	
		PSI		FRACTIONAL: ±		ANGULAR: MACH ± BEND ±		ENG APPR.	
		DIMS		TWO PLACE DECIMAL ±		THREE PLACE DECIMAL ±		MFG APPR.	
		PARTS		INTERPRET GEOMETRIC TOLERANCING PER:		MATERIAL		COMMENTS:	
	TAG			5052 H32 ALUMINUM		FINISH		G.A.	
	PKG			SEE BOM		DO NOT SCALE DRAWING		DWG. NO.	
				800-652-6630		11317 N. US HWY 14		815-943-6649	
				WWW.ALUMITANK.COM		INFORM@ALUMITANK.COM		FAX 855-774-6918	
				SCALE: 1:8		WEIGHT: 40.41		SHEET 1 OF 1	

