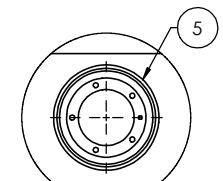
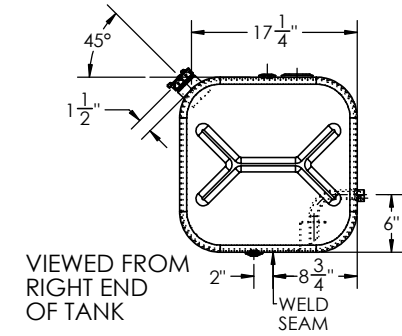
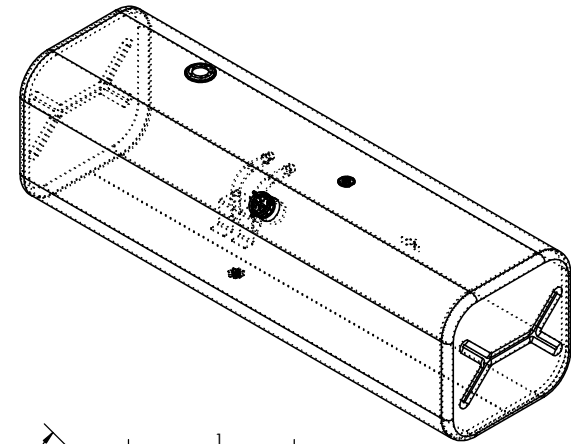
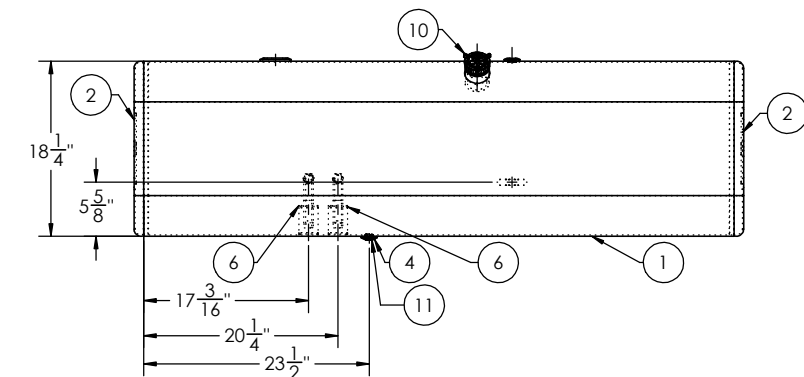
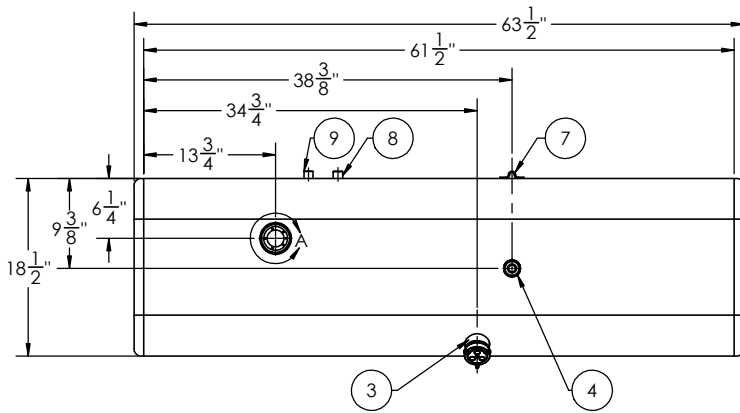


GALLONS	85	81	N/A	N/A
LITERS	321	305	N/A	N/A
	TOTAL CAPACITY	USEABLE CAPACITY	TOTAL CAPACITY	USEABLE CAPACITY
	DIESEL FUEL		BIO-DIESEL/ HYDRAULIC/WATER	

REVISIONS				
ZONE	REV.	DESCRIPTION	DATE	APPROVED
	A	INITIAL RELEASE	06/22/2022	GG



ITEM NO.	PART NUMBER	DESCRIPTION	QTY.
1	BRL-AT-FL-2011	1/8" TANK BARREL	1
2	ECP-029229612600	18-1/4" X 18-1/2" MILGRADE ALUMINUM RECTANGULAR END CAP	2
3	FLN-0481012230	3" LONG - 2" NPSM - 11.5 TPI MILGRADE ALUMINUM FILL NECK	1
4	FLG-050220	1/2" NPTF MILGRADE ALUMINUM FLANGE	2
5	BSE-00182230	FLAT MILGRADE ALUMINUM SENDER BASE	1
6	STR-018 (1.125)	SHORT SMALL TUBE STABILIZER (1.125)	2
7	MSC-001	MILGRADE ALUMINUM HOSE CLIP	1
8	TBS-50120100096	1/2" NPTF BENT ALUMINUM TUBE TYPE 1 SIX INCHES UP	1
9	TBS-40120100096	3/8" NPTF BENT ALUMINUM TUBE TYPE 1 SIX INCHES UP	1
10	FCP-1330 (600133)	2" NON-VENTED, NON-LOCK CAP	1
11	94135	1/2" SOCKET PIPE PLUG 3/4" TAPER NPTF ZINC	1

FREIGHTLINER PART NUMBER: A03-35654-400

TITLE:		UNLESS OTHERWISE SPECIFIED:		NAME	DATE
SIZE C	REV	QC	INITIALS	DRAWN	
		PSI		CHECKED	
		DIMS		ENG APPR.	
		PARTS		MFG APPR.	
TAG		MATERIAL	COMMENTS:		
PKG		5052 H32 ALUMINUM	11317 N. US HWY 14 800-652-6630		
		FINISH	HARVARD, IL 60033 FAX 855-774-6918		
		DO NOT SCALE DRAWING	815-943-6649 WWW.ALUMITANK.COM INFO@ALUMITANK.COM		
				DWG. NO. REV.	
				AT-FL-2011-GAL A	
				SCALE: 1:10 WEIGHT: 60.71 SHEET 1 OF 1	

