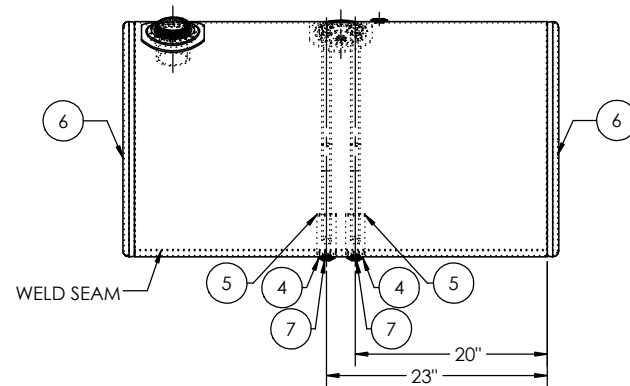
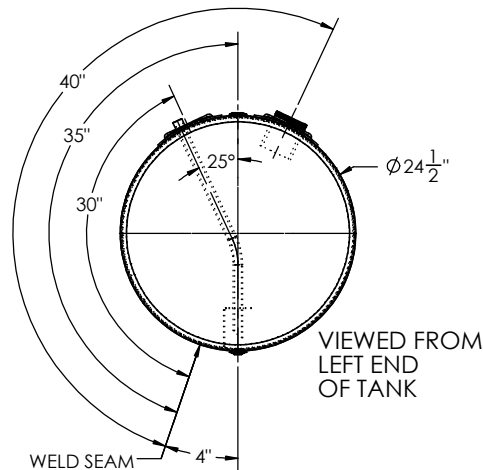
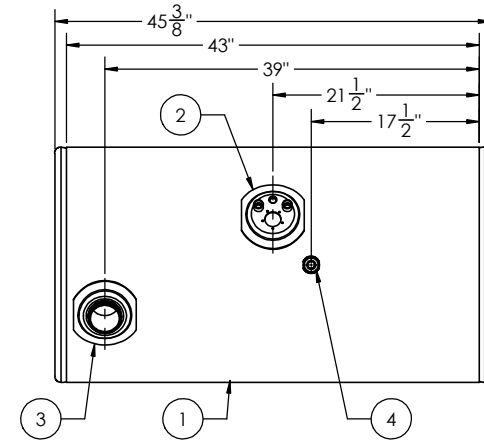
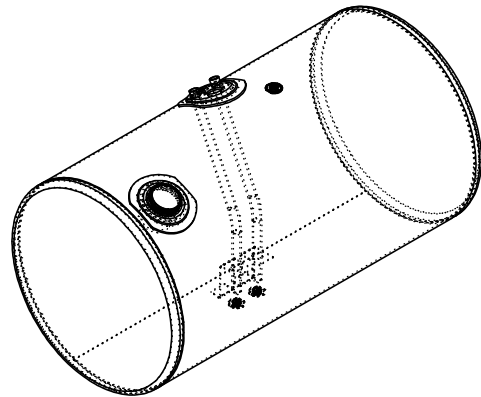


GALLONS	89	85	N/A	N/A
LITERS	337	320	N/A	N/A
	TOTAL CAPACITY	USEABLE CAPACITY	TOTAL CAPACITY	USEABLE CAPACITY
	DIESEL FUEL		BIO-DIESEL/ HYDRAULIC/WATER	

REVISIONS				
ZONE	REV.	DESCRIPTION	DATE	APPROVED
	A	INITIAL RELEASE	06/21/2022	GG



ITEM NO.	PART NUMBER	DESCRIPTION	QTY.
1	BRL-AT-KW-1182	1/8" TANK BARREL	1
2	ADP-83232392	24-1/2" POLISHED ALUMINUM KENWORTH ADAPTER PLATE WITH TUBES	1
3	FLN-801212300	POLISHED ALUMINUM KENWORTH FILL NECK	1
4	FLG-050230	1/2" NPTF POLISHED ALUMINUM FLANGE	3
5	STR-001 (DIA 24.50 TUBE 1.125)	SMALL TUBE STABILIZER (1.125)	2
6	ECP-3920013100	24 1/2" POLISHED ALUMINUM END CAP	2
7	94135	1/2" SOCKET PIPE PLUG 3/4" TAPER NPTF ZINC	2

KENWORTH PART NUMBER: K444-0546N0102U091

TITLE:		UNLESS OTHERWISE SPECIFIED:		NAME	DATE
SIZE C	REV	QC	INITIALS	DRAWN	
		PSI		CHECKED	
		DIMS		ENG APPR.	
		PARTS		MFG APPR.	
TAG		INTERPRET GEOMETRIC TOLERANCING PER:	COMMENTS:		
PKG		MATERIAL: 5052 H32 ALUMINUM	G.A.		
		FINISH: SEE BOM	11317 N. US HWY 14 800-652-6630		
		DO NOT SCALE DRAWING	HARVARD, IL 60033 FAX 855-774-6918		
			WWW.ALUMITANK.COM		
			815-943-6649 INFO@ALUMITANK.COM		
			DWG. NO. AT-KW-1182-GAL		
			SCALE: 1:10 WEIGHT: 57.40 SHEET 1 OF 1		

